

Location: _____

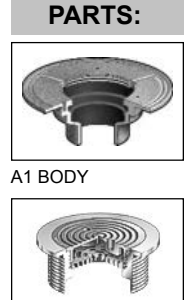
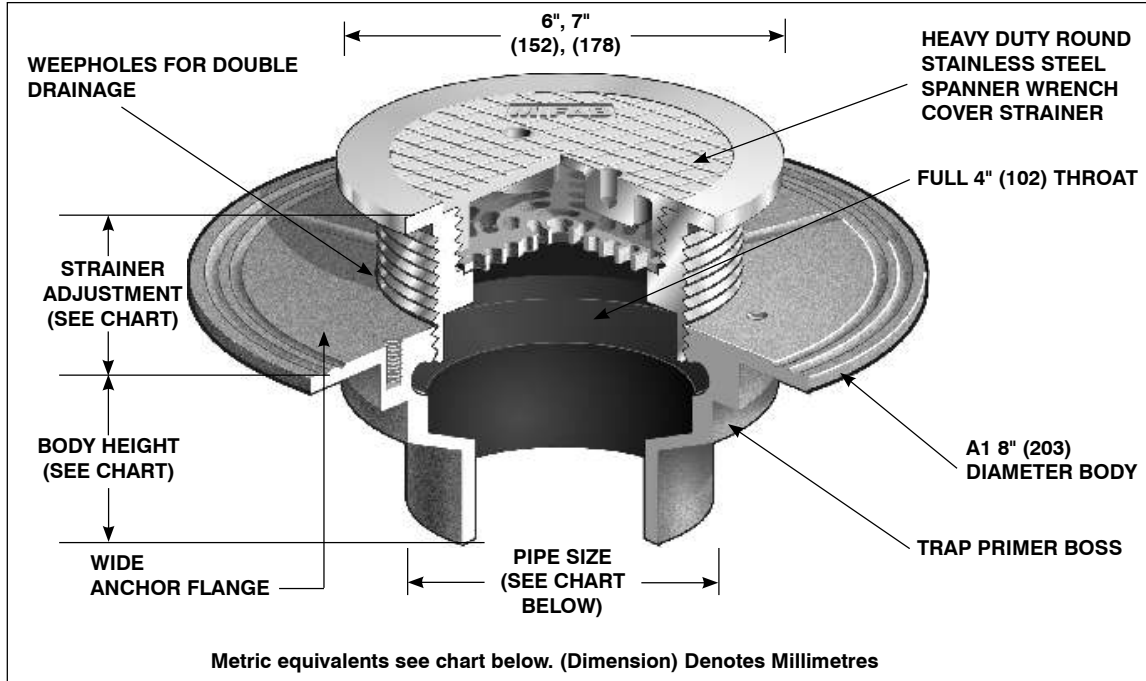


F1100-T

FLOOR DRAIN WITH SPANNER WRENCH COVER FOR NON-MEMBRANE FLOOR AREAS

Specification: MIFAB® Series F1100-T(*)-3 (* specify strainer diameter) lacquered cast iron floor drain with anchor flange, weepholes, and heavy duty, solid, gas tight, spanner wrench, vandal proof, stainless steel cover for secure access. (For membrane floors, use MIFAB F1100-C-T Series.)

Function: Used in non-membrane finished areas where irregular drain use is required. Solid, gas tight, spanner wrench, vandal proof, stainless steel cover ensures secure access. Used for all types of poured finished floors.



T(*)-3
(*) Denotes Strainer
Size (6" or 7"
Diameter)

F1100-T Series meets
ANSI-ASME floor
drain standard
A112.6.3-2001

Metric equivalents see chart below. (Dimension) Denotes Millimetres

| STRAINER SIZE | STRAINER ADJUSTMENT | | ANSI/ASME RATING | | PIPE SIZE | BODY HEIGHT | | | | |
|---------------|---------------------|--------------|--|-----------------------|-----------|-------------------|--------------|--------------|------------------|---------------------|
| | MIN | MAX | FREE AREA | LOAD RATING S.S. (-3) | | NO HUB (STANDARD) | PUSH ON (P) | THREADED (T) | INSIDE CAULK (X) | PVC/ABS (-30)/(-31) |
| 6" (152) | 11/16" (17) | 1 1/2" (38) | 9 in ² (5800 ²) | 5000 to 7499 LBS. | 2" (51) | 3" (76) | 3 3/8" (86) | 2 1/4" (57) | 3 3/4" (95) | 2 15/16" (75) |
| | | | | | 3" (76) | 3" (76) | 3 3/8" (86) | 2 5/8" (67) | 3 3/4" (95) | 3 3/4" (95) |
| 7" (178) | 9/16" (14) | 1 9/16" (40) | 12 in ² (7700 ²) | 5000 to 7499 LBS. | 4" (102) | 3" (76) | 3 3/8" (86) | 2 5/8" (67) | 3 3/4" (95) | 3 3/4" (95) |
| | | | | | 5" (127) | 3" (76) | -- | 2 5/8" (67) | 3 3/4" (95) | -- |
| | | | | | 6" (152) | 3 1/4" (83) | 6 1/2" (165) | -- | -- | -- |

SUFFIX OPTIONAL VARIATIONS

- 3 Stainless steel strainer (standard)
- 5 Sediment bucket
- 6 Security screws (T-20 Torx & pin)
- 7 1/2" trap seal primer connection
- 8 Backwater valve (2", 3", 4")
- 11 Acid resistant epoxy coated body
- 12 Galvanized top assembly
- 13 Galvanized body
- 15 Extension
- 21 Secondary flat stainless steel strainer (2", 3", 4")
- 28 Stainless steel body (Type 304)
- 30 PVC socket connection body
- 31 ABS socket connection body
- 34 Closure plug
- 40 Underdeck clamp
- 41 Sump receiver
- 49 Chrome Plated Strainer

SUFFIX OPTIONAL VARIATIONS

- 90 Threaded side outlet (2", 3", 4") (cast iron only)
- 90NH No hub side outlet (2", 3", 4") (cast iron only)
- 95 Client logo
- BA Minimum 51% material cost made in the USA
- C Membrane clamp for low rough-in (min. 1/2" (13))
- C2 High rough-in membrane clamp (min. 1 9/16" (40))
- F4 4" Round funnel
- F6 6" Round funnel
- G Oval 4" x 9" funnel
- J 6" x 3" x 1" funnel
- (Standard) No hub outlet
- MG MI-GARD Floor Drain Trap Sealer (2", 3" or 4")
- P Push on outlet
- PA Pennsylvania Steel Act compliant product
- T Threaded outlet (2", 3", 4")
- X Inside caulk outlet
- Z Extended wide elastomeric flange

CALIFORNIA PROPOSITION 65 WARNING. This product contains chemicals known to the State of California to cause cancer and birth defects or other reproductive harm.

Job Name: _____ Page No: _____
 Section No: _____ Contractor: _____
 Schedule No: _____ Purchase Order No: _____